



Handling System for Hood type Dishwasher Service Shelf, 700mm (entry level HT)

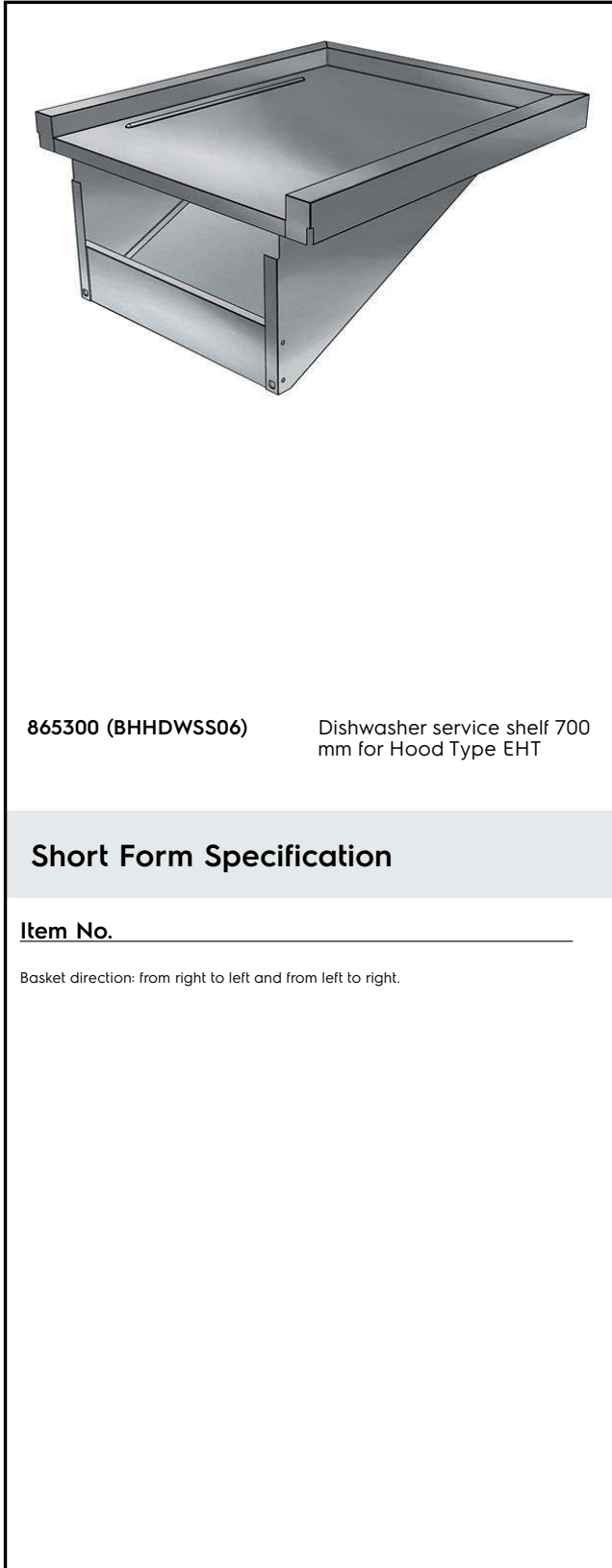
ITEM # _____

MODEL # _____

NAME # _____

SIS # _____

AIA # _____



865300 (BHHDWSS06)

Dishwasher service shelf 700 mm for Hood Type EHT

Short Form Specification

Item No. _____

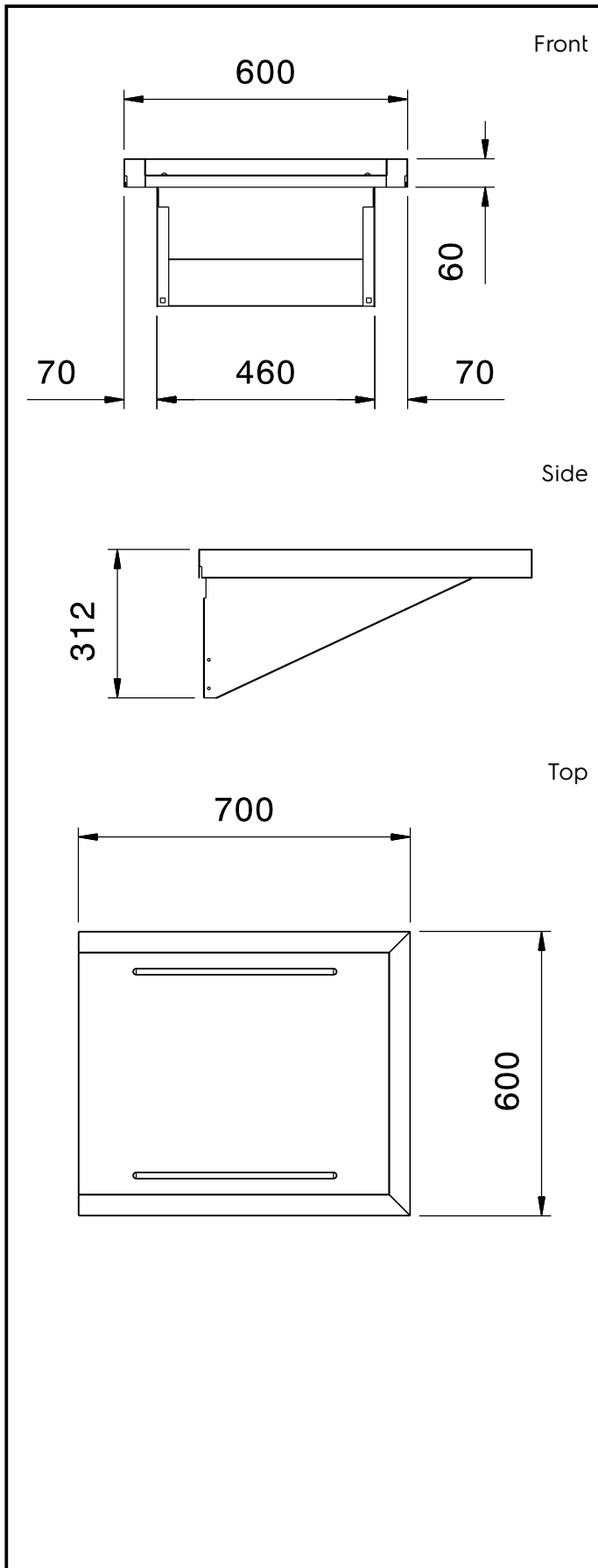
Basket direction: from right to left and from left to right.

Construction

- 304 AISI stainless steel construction throughout.
- Shelves installed on the hood type dishwasher.

APPROVAL: _____





Key Information:

| | |
|------------------------------|--------|
| External dimensions, Width: | |
| 865300 (BHHDWSS06) | 700 mm |
| External dimensions, Depth: | 600 mm |
| External dimensions, Height: | 310 mm |
| Net weight: | 6 kg |